

# Silenzio SR (AK) Silenzio **Retro** SR

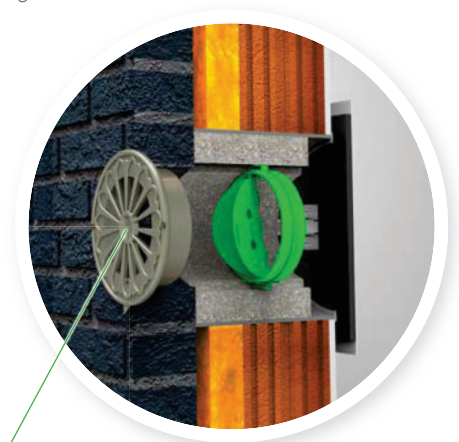
## Design wall damper

The completely updated **Silenzio SR (AK)** is a wall damper that is eminently suitable for use in refurbishment. Not only has its appearance been given a complete makeover, but from now on the Silenzio also features a SR valve so it can easily be used in one of our ventilation systems. This sound-absorbing ventilator has been developed specifically for situations where high noise levels are an issue.

### Silenzio **Retro** SR

The Silenzio Retro SR has been developed specifically for listed buildings with a protected façade. This ventilator can be built into the façade invisibly or be fitted with a discreet rosette part.

- **SR-flap** for use within Duco's ventilation systems
- 'AK' **acoustic damping** until 48 dB
- Simple solution for **renovation projects**
- **Aesthetic** adjustable inner grid



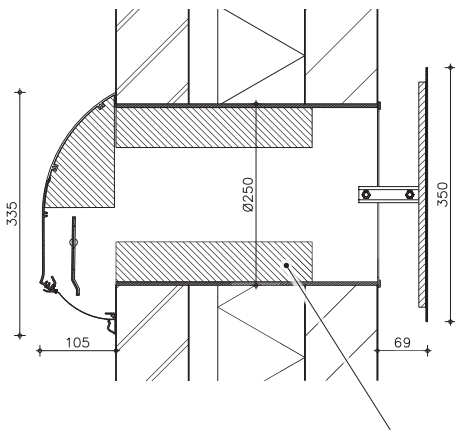
<b>U-value</b>		4,76
<b>Wind tightness class</b>	closed position	Class 2
<b>Wind tightness</b>	closed position	300
<b>Water tightness class</b>	closed position	9A
<b>Water tightness</b>	closed position	600

Standards: consult the table on page 40.

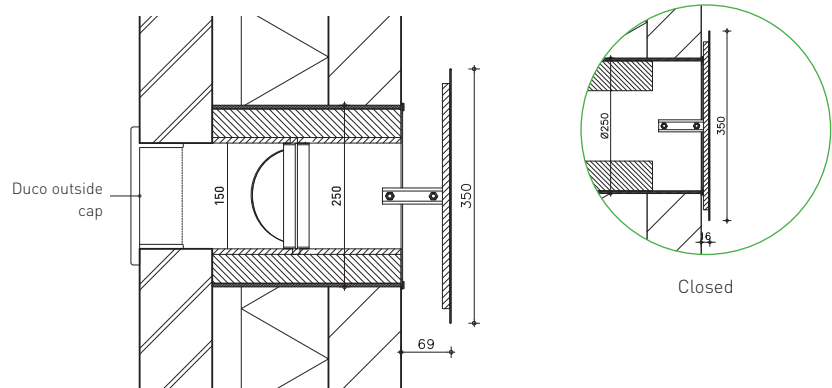
Duco outside cap, outside part of your choice or open vertical joint



→ Silenzio SR (AK)

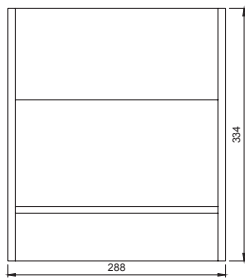


→ Silenzio **Retro** SR

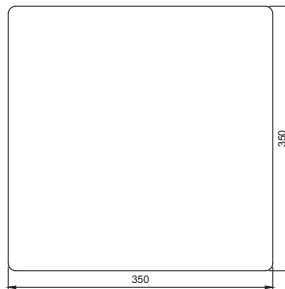


The Silenzio SR **AK** is equipped with extra sound absorbing material.

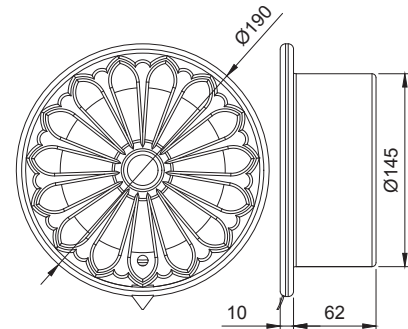
→ Outside cap Silenzio SR (AK)



→ Inside cover



→ Duco outside cap Silenzio Retro SR



## → General specification

Property	Silenzio SR (AK)	Silenzio <b>Retro</b> SR
Outer part	outside cap included	optional with Duco outside cap (RAL 7048 pearl mouse grey)
Tube length	300 mm (suitable for wall thicknesses of 250 mm and over) longer version available as an option	

## → Ventilation- and sound reduction performance

Type	Airflow (Q) in l/s/m at...			Airflow (Q) in m³/h/m at...			Equivalent area at 1 Pa in mm²/m	Geometrical Free Area in mm²/m	Sound absorption $D_{n,e}, W(C;C_u)^*$ in dB	
	1 Pa	2 Pa	10 Pa	1 Pa	2 Pa	10 Pa			OPEN position	CLOSED position
Silenzio SR	16,6	16,5	16,4	59,8	59,4	59,1	21060	17600	39 [-1;-4]	50 [-2;-5]
Silenzio SR <b>AK</b>	9,0	10,1	10,3	32,4	36,4	37,1	11478	17600	48 [-1;-4]	61 [-1;-6]
Silenzio <b>Retro</b> SR** without Duco outside cap	10,7**	15,2	10,1	38,5	54,7	36,4	13616	17600	43 [-1;-3]	64 [-3;-10]
Silenzio <b>Retro</b> SR with Duco outside cap	9,0	12,9	10,1	32,4	46,5	36,4	11453	11500	43 [-1;-3]	64 [-3;-10]

\* According to EN ISO 717  
\*\* Measured without outside cap. Effective values depend on the outside part.



→ Dimensions & order information: see page 32 → Controls & ancillaries: see page 37  
→ Full specifications: see page 42