

TECHNICAL SPECIFICATIONS



ISODEC 25

THERMAL INSULATED DUCTING

The **ISODEC 25** series consists of an aluminium laminate inner duct, thermally insulated with a glass wool layer and provided with an aluminium laminated outer jacket. The thermal insulation is suitable for preventing condensation and minimizing heat loss and loss of cold.

APPLICATION

- Steam return lines
- Insulation in ventilation and air supply systems
- Air conditioning systems
- Thermic insulation in order to prevent heat loss or loss of cold
- Preventing of condensation in ventilation systems


SPECIFICATIONS

Article code:	DI{Ø}
Temperature range:	-30 °C to 140 °C
Operating pressure:	up to +2500 Pa
Operating air velocity:	max. 30 m/s
Min. bending radius:	0.54 x Ø + 25mm
Standard diameter range:	82 – 508 mm
Standard length:	10 mtr

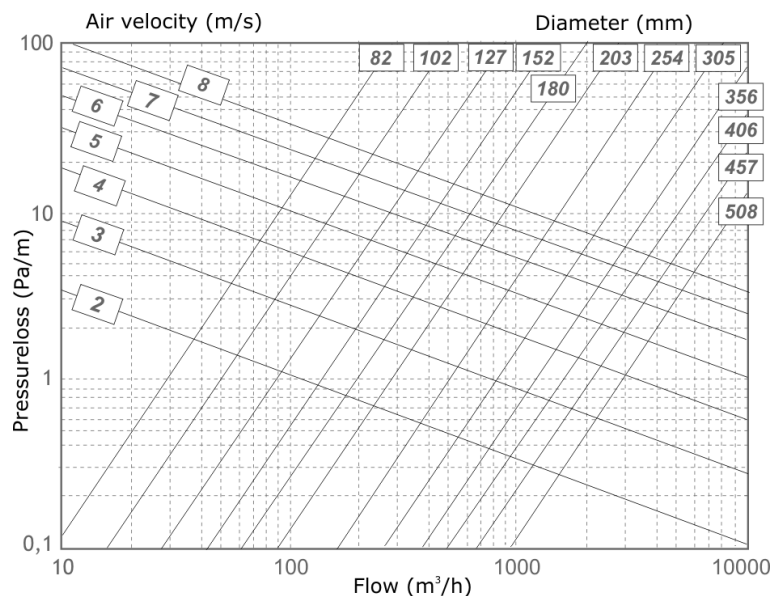
CONSTRUCTION

Inner duct:	Alu/poly laminate
Glass wool blanket:	25mm, 16kg/m ³
Outer jacket:	Alu/poly laminate
R-value glass wool:	0.65 m ² K/W (ASTM C177-76)
Appearance:	Aluminium

CLASSIFICATIONS

UK (BS476):	Part 6, 7 and 20
EU (EN 13501-1):	B-s1,d0
NL(NEN 6065/6066)	1
FR (NF):	M1
Marine certified MED	

PRESSURE LOSS (STRAIGHT DUCT)



The **ISODEC 25** fulfills all the requirements and are classified as specified within EN 13180: *Ventilation for buildings – Ductwork - Dimensions and mechanical requirements for flexible ducts.*

The **ISODEC 25** is also available, on request, with a 50 mm glass wool layer, the article number is: DI50{Ø} R-value glass wool: 1.3 (50 mm) m² K/W (ASTM C177-76).